



## trivum 4.3" TouchPad black

Article-Number: 600011 EAN: 4260393850088

## trivum 4.3" TouchPad silver

Article-Number: 600010 EAN: 4260393850071

The trivum TouchPad is an all-purpose operating device attached to the wall with a graphic display and capacitive Touch. The design was awarded with one of the sought-after RedDot Design Awards in 2012.

As a room controller it operates lighting, climate, sunblinds, scenes and e.g. door openers. It shows information of cameras, meteorological services and energy controllers.

Acting as a music controller it operates a trivum AudioActuator or the trivum C4 Multiroom System. Due to Coverart support the music controller is extremely easy to handle, fast – and, at the same time, looks excellent.



reddot design award  
winner 2012



### Audio

The TouchPad includes the elegant and extremely fast control of all trivum Multiroom Systems.



### Light

The lighting control supports simple switch actuators as well as dimmers. Actuator data from the Bus are shown on the display.



### RGB

Up-to-date RGB LED's are supported via KNX RGB dimmers and Dali or DMX gateways. Presets can be memorized.



### Sunblinds

Sunblinds and roller blinds are controlled with long/short and absolute data. There are 4 presets available for each sunblind.



### Temperature / climate

For the climate control external actuators are controlled by means of comfort/night/standby/freeze and nominal data. Data of temperature sensors are displayed.



### Scenes

Besides the KNX scenes (Bus objects) further scenes are also supported in the TouchPad itself (light, sunblind, RGB).



### Webcam

Pictures of IP cameras with motion JPEG standard are displayed and, if motor-driven, also controlled.



### Weather

The TouchPad can represent site-specific weather information such as temperature, wind speed, sunrise and sunset.



### Easy configuration

The configuration can be made via any browser-enabled end device – without any installation or further software.



### KNX

The TouchPad is quickly integrated into a KNX system via a KNX/IP router and can also read and write telegrams.





### Function

Capacitive touch display for wall mounting with a 4.3" large screen size to control trivum REG, FLEX, DESIGN and PRO products and KNX environments.

### Screen

Display type	TFT LCD
Screen diagonal	4,3"
Display color	16.7 Mio.
Backlight	white LEDs
Touch technology	capacitive touch panel
Resolution	480 x 272
Aspect ratio	30:17
Brightness	340 cd/m <sup>2</sup>
Contrast ratio	500:1
Viewing angle	120°/140°
Operating temperature	-20...+50 °C
Total weight (incl. cover)	300 g

### Cover

Material	brushed aluminum
Color	naturally anodized aluminum black anodized aluminum
Dimensions	(Cover) 110 mm x 110 mm x 6 mm

### Connections

Ethernet	10/100 Base-T with PoE (x1)
----------	-----------------------------

### Power supply

via PoE (Power over Ethernet)	IEEE 802.3af
Class	1
Input voltage	48 V
Wiring	T568B
Max. power consumption	3.6 W
Stand-by power	< 3.5 W

### Software

trivum application based on Linux. Update via internet

### Configuration

Tool	web browser Safari, Firefox, Chrome
------	--

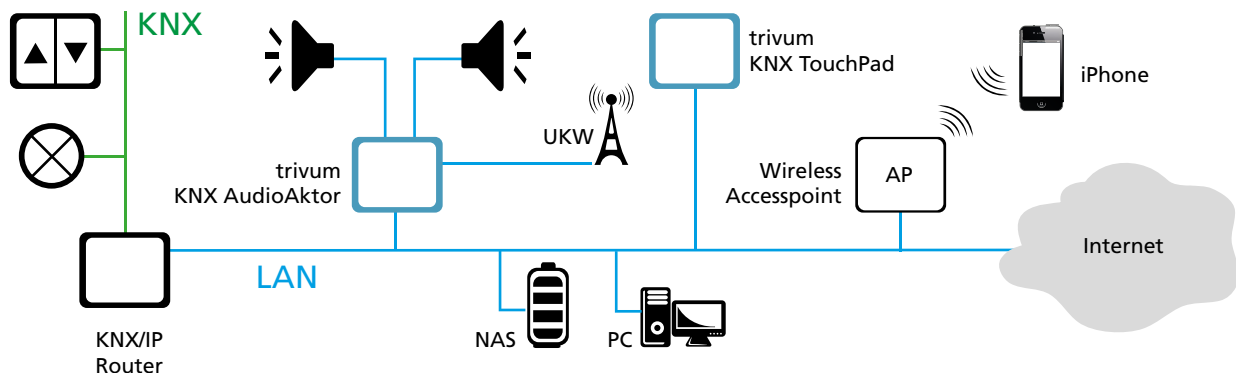
### Installation

Wall mounting with the trivum in wall box, magnetic mount

### KNX<sup>1</sup>

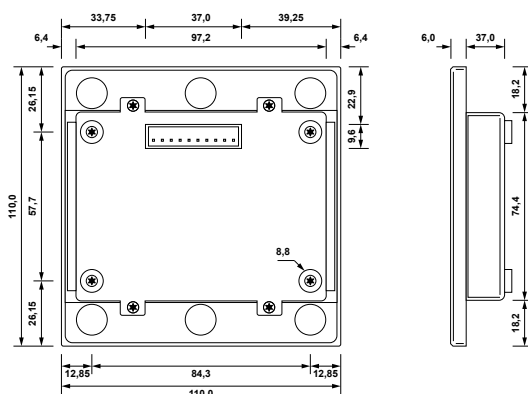
Functions	Operation of lighting, sunblind, climate scenes, IP camera, weather
Connection	via KNX/IP router

### Connection example



### Dimensions

All measurements are given in millimeter (mm).

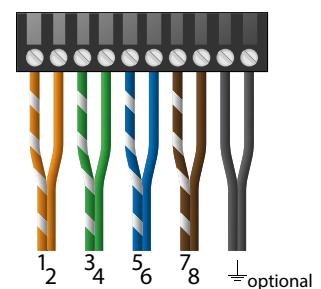


### Connection

RJ-45 plug



Terminalblock top view



<sup>2</sup> KNX is not required to use the main functions of the trivum 4.3" TouchPad.

